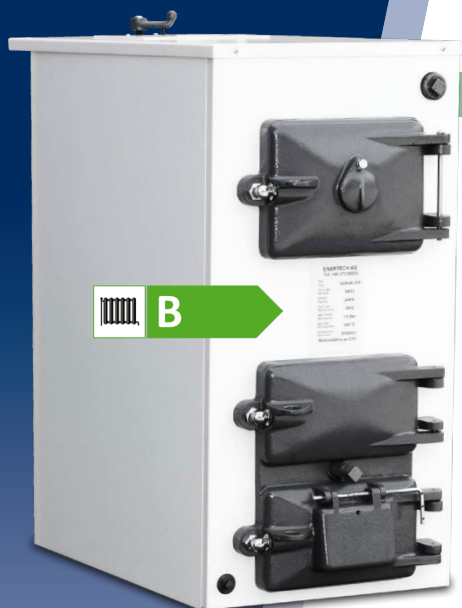


# CTC Parca 300

Kitchen boiler 17 - 25 kW, model: 312, 314, 318



**CTC Parca 300 is a well-proven wood boiler perfect for placing in kitchens alongside electric or wood stoves. The boiler is tested for firing with wood and coke.**

CTC Parca 300 is a cast section boiler, fitted with fixed, water-cooled grates and vibrating grates. CTC Parca 300 is delivered ready for installation, insulated and clad with white-painted panels on the front and top. A 50 mm tall base is available as an accessory, which enables the height to be easily adjusted, along with white-painted side panels for installations where the boiler will not be built-in completely.

CTC Parca 300 is available in three sizes: 17, 20 and 25 kW. Wood length is 250 mm for the smallest model and 400 mm for the two bigger ones. The boiler's compact dimensions (only 410 mm wide) make it easy to position.

The boiler can be connected to a hot water storage tank together with the CTC Charge System 21 accessory. Firing with a hot water storage tank reduces your heating costs and contributes to a better environment by storing the energy in the hot water storage tank.

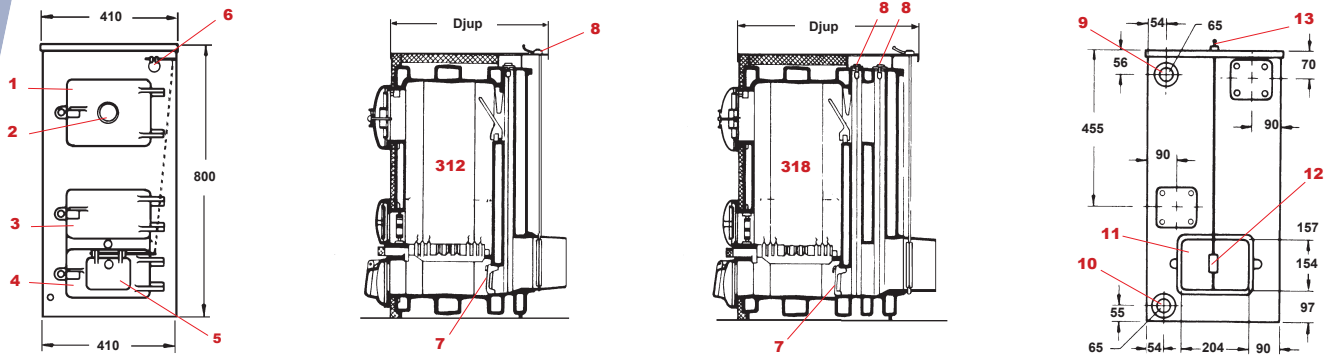
The product may only be installed if it is replacing an equivalent product! Otherwise, regulations regarding building and construction apply, which require planning permission and a building permit.

Ecodesign data scale (A+++ to G).

## Benefits:

- Cast section boiler, fitted with fixed, water-cooled grates and vibrating grates
- Best placed in the kitchen next to a wood or electric stove.
- The boiler is available in three sizes: 17, 20 and 25 kW
- Can be connected to a hot water storage tank together with the CTC Charge System 21 accessory.
- Compact dimensions: only 410 mm wide.

## Dimensions diagram



1. Filling hatch
2. Rosette valve (secondary air)
3. Sweeping hatch
4. Ash hatch
5. Draught hatch
6. Connection draught regulator G 3/4"
7. Bottom sweeping hatch
8. Top sweeping hatch
9. Connection primary flow G 2 1/2"
10. Connection return flow G 2 1/2"
11. Flue pipe
12. Flue gas damper
13. Flue gas damper control

## Accessories

### White-painted side panel

312	CTC no.: 701383422	RSK no.: 6153100
314	CTC no.: 701383432	RSK no.: 6153118
318	CTC no.: 701383452	RSK no.: 6153126

### Raised base 50 mm

312	CTC no.: 701396702	RSK no.: 6153134
314	CTC no.: 701396703	RSK no.: 6153142
318	CTC no.: 701396701	RSK no.: 6153159

### Flue pipe extension 150 mm

CTC no.: 701380201	RSK no.: 6153167
--------------------	------------------

### Draught regulator

CTC no.: 908317001
--------------------

### CTC Charge System 21

CTC no.: 586095001	RSK no.: 6861897
--------------------	------------------

### Delivery includes:

CTC Parca 300 with factory-fitted top and front panels

### Packaging includes:

Firing equipment and manual

Technical data		312	314	318
CTC no.:		790400001	790400003	790400002
RSK no.:		6153076	6153084	6153092
Rated power	kW	17	18	25
Energy efficiency class in heating system (with CTC EcoLogic)		D	D	B
Energy efficiency class		D	D	B
Seasonal energy efficiency for room heating g ηs [%]:	%	45	45	56
Energy Efficiency Index (EEI):		67	67	82
Number of sections	number	4	5	6
Firing area	m <sup>2</sup>	1.2	1.4	1.8
Water volume	litres	22	28	34
Recommended minimum hot water storage volume	litres	869	698	1003
Hearth width	mm	300	300	300
Hearth depth	mm	260	420	420
Coke volume	litres	35	60	60
Dimensions (depth x width x height)	mm	510x410x800	670x410x800	740x410x800
Weight (packaged weight)	kg	199 (214)	249 (265)	278 (295)

The boiler has not been tested for the most recent environmental standards. Test standard: EN 303-5:2015, S

<sup>1)</sup> Technical parameters for solid fuel boilers (Regulation (EU) 2015/1187). Ecodesign data scale: A<sup>++</sup> to G

Energy labels and data sheets can be downloaded from [www.ctc-heating.com/Ecodesign](http://www.ctc-heating.com/Ecodesign)

