



CTC Modul

The complete system for domestic hot water

Stainless steel hot water cylinders for professional installations

Models: 300 E15, 400 E15, 400 L



- For large domestic hot water demands
- Scalable system with cascade connection
- Stainless steel tank
- Compatible with multiple heat sources
- Energy-efficient insulation

The ultimate hot water solution for multi-residential buildings, industries and complex facilities such as swimming pools and spa centres, where large domestic hot water systems need to operate together.

Complete system for domestic hot water

CTC Modul is a complete system for domestic hot water, developed for properties and facilities with large and varying hot water demands. The system is suitable for multi-residential buildings, industries, hotels and leisure facilities, as well as complex buildings such as swimming pools and spa centres, where multiple hot water systems need to work together.

Efficient, robust and reliable

CTC Modul is a range of stainless steel hot water cylinders that combine high efficiency with reliable construction. Each unit features a durable casing in powder-coated steel and efficient PUR/Neodul insulation, minimising energy losses.

The tank is made of stainless steel for high

corrosion resistance and long service life. All units are installed vertically and feature easily accessible connections for simple installation and servicing.

Flexible system for multiple heat sources

CTC Modul is particularly suitable for use with heat pumps, solar panels and other external heat sources. The range includes cylinders of 282 and 380 litres, which can be easily connected in series or parallel to achieve the required capacity.

Convertible output module

CTC Modul 300/400 E15 are output modules with a built-in electric immersion heater. The heater can be used to heat domestic hot water in the tank system, for legionella control in heat pump-based systems, or as auxiliary heating when additional capacity is required. The built-

in immersion heater has an output of 7.5 kW and can be easily reconfigured to 15 kW if needed.

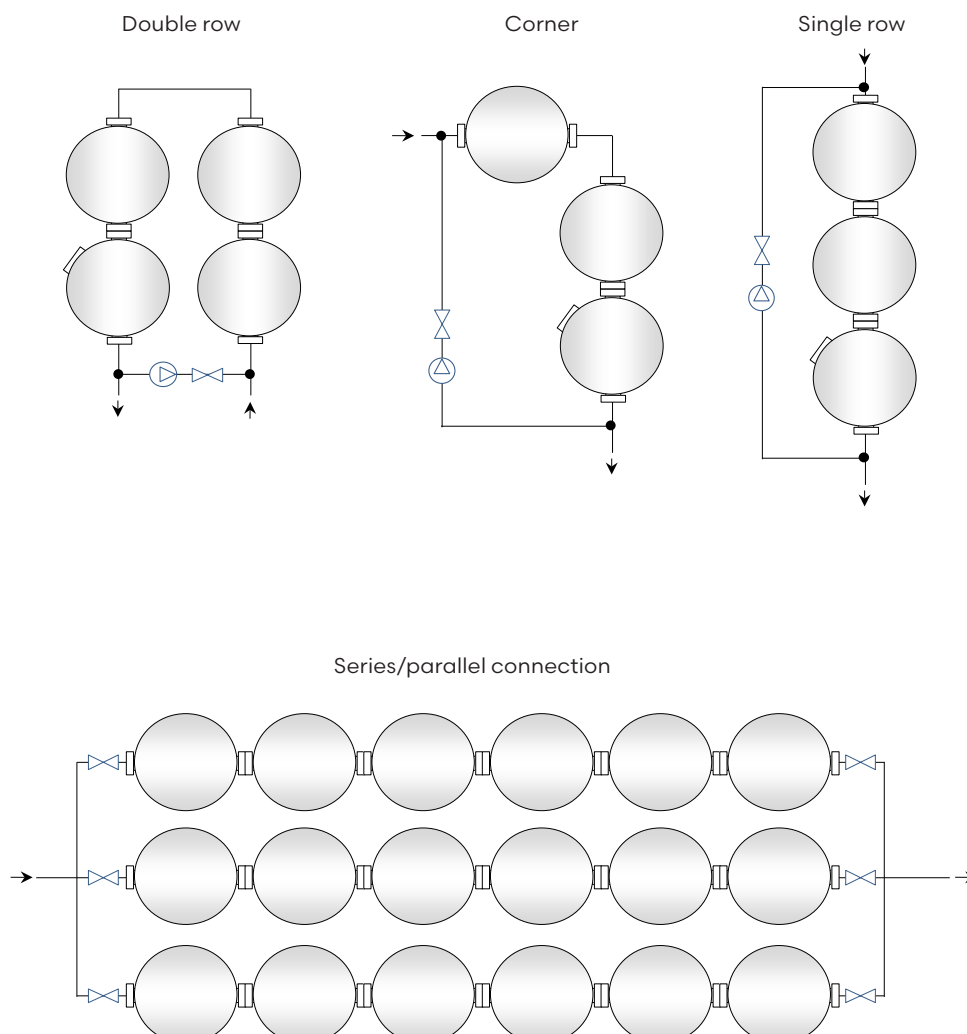
Adaptable to demand

CTC Modul 400 L are storage tanks for domestic hot water. The number of tanks can be adapted to suit the building's requirements. A system can, for example, consist of one output module and three storage tanks in a heat pump or solar heating system.

CTC – Experience you can rely on

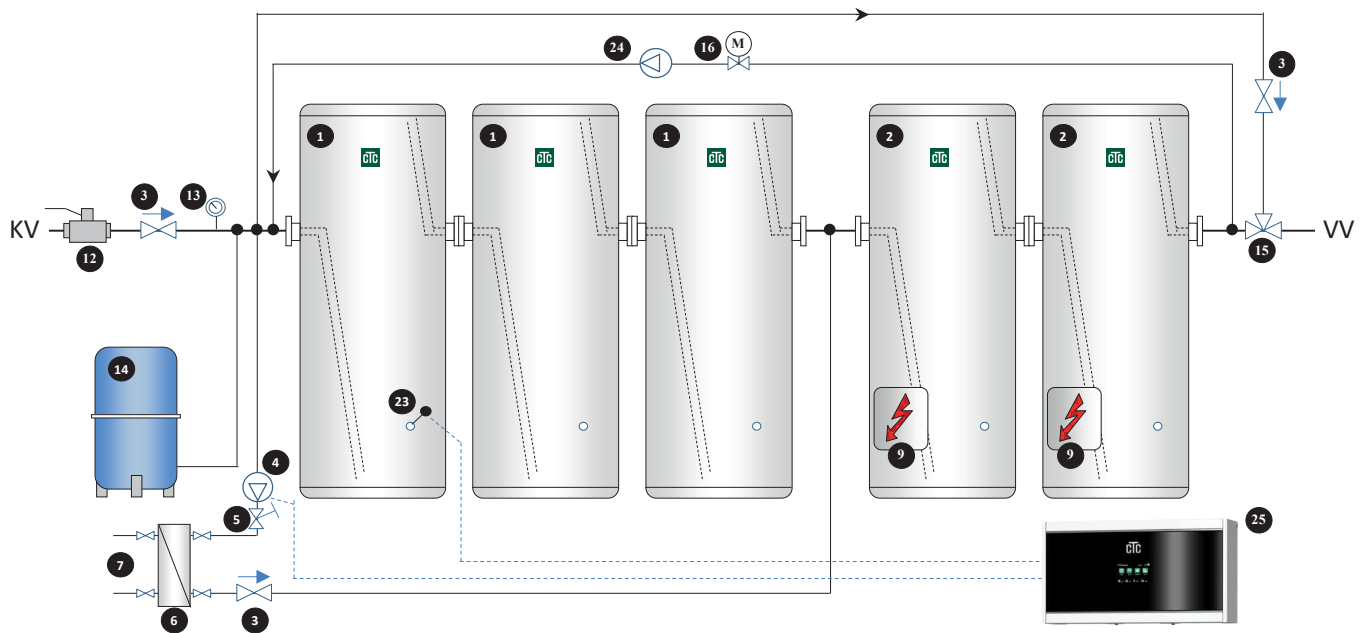
CTC is a Swedish brand with over 100 years of experience in heating technology. When you choose CTC, you're not just investing in reliable products – you also gain access to expert service and dependable support whenever you need it.

Alternative line-ups



Connection options:

System 1 - Connected heat pump with legionella function



- | | | |
|---|---------------------------------------|--|
| 1. Storage module: CTC Module 400 L | 8. Control box for electric heater | 15. Hot water tap mixing valve |
| 2. Power module: CTC Module 300/400 E15 | 9. Electric heater (immersion heater) | 16. Solenoid valve for Legionella increase |
| 3. Non-return valve | 10. Safety valve for power module | 17. Tank temperature sensor |
| 4. Charge pump external heat source | 11. Safety valve for power module | 18. Pump for Legionella increase |
| 5. Flow adjustment valve | 12. Shut-off valve | 19. Control system: CTC EcoLogic |
| 6. Exchanger external heat source | 13. Cold water tap pressure gauge | |
| 7. Connection of external heat source (heat pump) | 14. Expansion vessel | |

Accessories



DHW connection G1½"

Adapter for connection to DHW system – flange to pipe thread. Used when the connected tank system is to be connected to the hot/cold water system.

CTC no.: 585900011

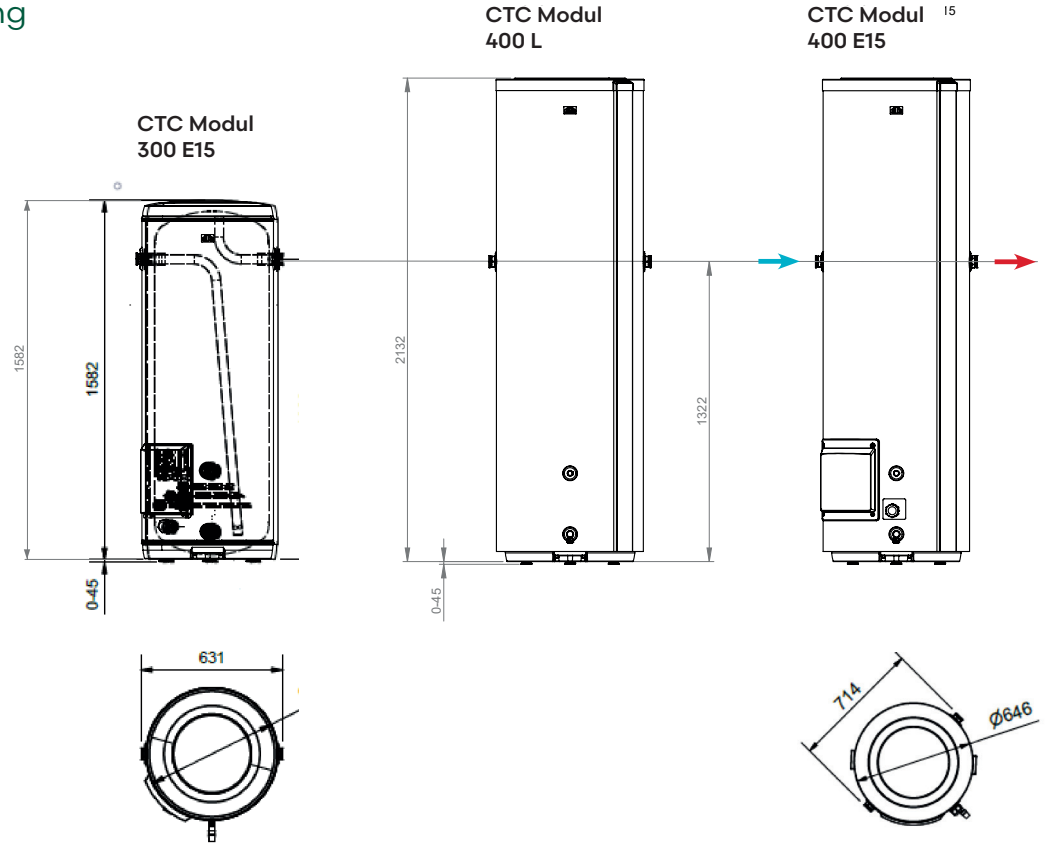
Thermostat kit 55-85 °C

Thermostat kit used when a higher tap water temperature is required.

CTC no.: 589807301



Dimensional drawing



Water quality:

Before installation, check that the chloride content is not higher than 50 mg/l and that the pH value is not lower than 7.5. Higher values than these can damage the product and shorten its service life (corrosion).

Scope of delivery

Stainless steel tank with or without electrical attachment and manual.

Technical data		300 E15	400 E15	400 L
CTC no.		589800001	589801001	589802005
Weight (packaged weight)	kg	49 (56)	61 (66)	58 (61)
Dimensions (Ø x height)	mm	Ø585 x 1582	Ø646 x 2132	
Required installation height	mm	1660	2210	
Connection to tap water system (flange connection)		DN40		
Sound power L_{WA} (EN 12102)	dB(A)	15		-
Rated electrical data		400V 3N~ 50-60Hz		
Rated current: 7.5 kW/15 kW	A	10.84 / 21.68		-
Fuse: 7.5 kW/15 kW		13 / 25		
Output range immersion heater: 7.5 kW/15 kW	kW	2.5 - 7.5 / 5 - 15		-
Ingress protection class (IP)		IP 44		
Water volume – DHW system	l	282	380	
Max. operating pressure	bar	10		
DHW-performance V_{40} (EN16147)	l	430	572	-
Standing loss S	W	-	-	94.8
Heating time from 10 °C to 60 °C (at factory setting 60 °C)	min	72	122	-
Energy efficiency class DHW (A+++ till F) (EN16147)		D		C
Charge profile DHW (EN16147)		XL		-

